

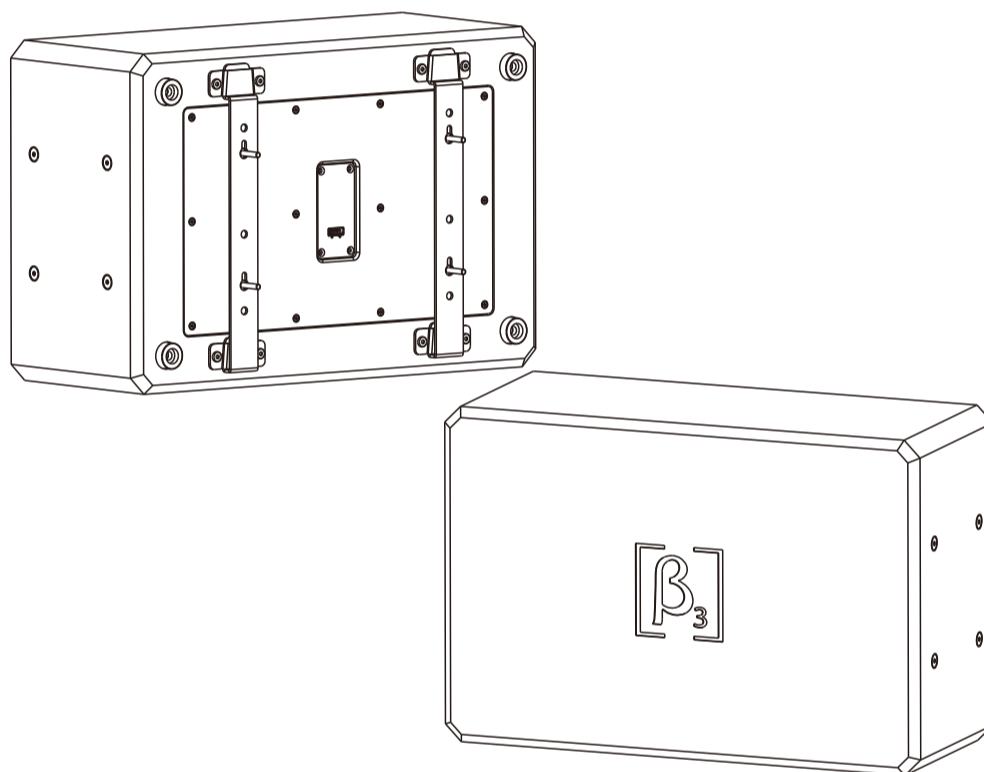


Beta Three

SUB208

Dual 8" Passive Bandpass LF Speaker

User Manual **EN**



备注:

- 1、说明书实物为12页，第2页，第10页，第11页空白
材质：100g书写纸。
- 2、成品尺寸为A4。
- 3、装订方式：打骑马钉。



| | | | | | | |
|------|-----|---------------|-------|-------|-------------------|---------|
| 设计 | 彭美蓉 | 东莞市三基音响科技有限公司 | | | 文件(图)号 | |
| 审查 | | | | | | |
| 审核 | | 物品名称 (图名) | 英文说明书 | 物品规格 | 三基/β 3/SUB208 | |
| 批准 | | | | 商品劳务号 | 101.05.0009.04057 | |
| 生效日期 | | 物品类别 | 专业音箱 | 版本 | A | 第1页 共9页 |



SAFETY INSTRUCTIONS

PLEASE READ THIS MANUAL FIRST

Thank you for a buying β_3 product. Read this manual first as it will help you operate the system properly. Please keep this manual for future reference.

⚠ WARNING: *This product must be installed by professionals. When using hanging brackets or rigging other than those supplied with the product, please ensure they comply with the local safety codes.*

| | | |
|---|---------|---|
|  | CAUTION |  |
| RISK OF ELECTRICAL SHOCK DO NOT OPEN | | |
| CAUTION: TO REDUCE THE RISK OF ELECTRIC SHOCK, DO NOT REMOVE COVER (OR BACK). NO USER-SERVICABLE PARTS INSIDE. REFER SERVICING TO QUALIFIED PERSONNEL. | | |

| | | |
|--|------|---|
|  | AVIS |  |
| RISQUE DE CHOC ÉLECTRIQUE NE PAS OUVRIR | | |
| ATTENTION : POUR RÉDUIRE LE RISQUE DE DÉCHARGE ÉLECTRIQUE, NE RETIREZ PAS LE COUVERCLE (OU L'ARRIÈRE). IL NE SE TROUVE À L'INTÉRIEUR AUCUNE PIÈCE POUVANT ÊTRE RÉPARÉE PAR L'USAGER. S'ADRESSER À UN RÉPARATEUR COMPÉTENT. | | |

⚠ *The exclamation point within an equilateral triangle is intended to alert you to the presence of important operating and servicing instructions.*

⚠ ATTENTION: *Don't refit the system or spare parts without being authorized as this will void the warranty.*

⚠ WARNING: *Don't place naked flames (such as candles) close to the equipment.*

1. Read the instruction manual first before using this product.
2. Please keep this manual for future reference
3. Pay attention to all warnings.
4. Obey all operating instructions.
5. Do not expose this product to rain or moisture.
6. Clean this equipment with a dry cloth.
7. Do not block any ventilation openings. Install according to manufacturer's instructions .
8. Do not install this product near any heat source, such as a, heater, burner, or any other equipment with heat radiation .
9. Only use spare parts supplied by the manufacturer.
10. Pay attention to the safety symbol on the outside of the cover.

| | | | |
|---------------|-------|---------------|---------|
| 东莞市三基音响科技有限公司 | | | 文件(图)号 |
| 物品名称 (图名) | 英文说明书 | 物品规格 商品劳务号 | |
| 物品类别 | 专业音箱 | 版本 | 第2页 共9页 |



SUB208
Dual 8" Passive Bandpass LF Speaker

CONTENTS

CONTENTS

| | |
|--------------------------------------|---|
| Introduction | 3 |
| Features | 3 |
| Description | 3 |
| Application | 3 |
| Connection and Installation | 4 |
| Technical Specification | 5 |
| Specification | 5 |
| Frequency Response & Impedance Curve | 5 |
| 2D View | 6 |

⚠ *Product information subjects to be updated without notification, please visit www.beta3pro.com for latest update.*

| | | | |
|---------------|-------|-------|---------|
| 东莞市三基音响科技有限公司 | | | 文件(图)号 |
| 物品名称 (图名) | 英文说明书 | 物品规格 | |
| | | 商品劳务号 | |
| 物品类别 | 专业音箱 | 版本 | 第3页 共9页 |

INTRODUCTION

SUB208
Dual 8" Passive Bandpass LF Speaker

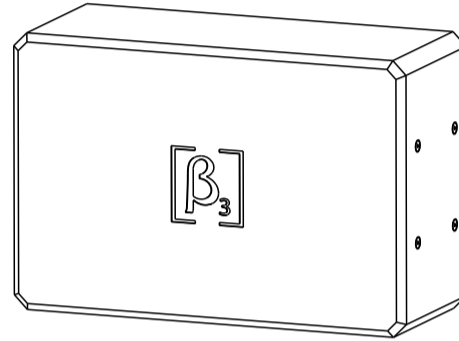


SUB208

Dual 8" Passive Bandpass LF Speaker

Features:

- SUB208 achieves smooth and powerful bass with a more compact design.
- The sixth order bandpass speaker uses dual 8" LF transducers to provide deep bass.
- Easy to install and can be used with other systems.
- To achieve the most satisfactory sound, please carefully read the user manual before connecting the subwoofer to the system.



Description:

β 3 SUB208 is a LF speaker with new design and new painting. It adopts dual 8" LF transducers. The LF unit uses a 50mm voice coil which is made of round copper wire. The voice coil bobbin is made of high-strength AL material, which not only enhances the strength of the voice coil but also increases its power bearing capacity. When installed on this speaker, the rated power can reach 200W. The design of symmetrical magnetic circuits reduces the odd harmonic distortion of low-frequency units to a lower level, fully meeting the human body's demand for low-frequency sound quality.

SUB208 is composed of 15mm thick laminated panels, with a special wooden wedge box structure that does not require a single nail for the entire box. Polyurethane paint on the surface has strong wear resistance. The tensile resistance of the box itself can reach 4500N.

SUB208 usually works with full range speakers, which are widely used for meeting room, multi-functional room, small auditorium, churches and mobile performance.

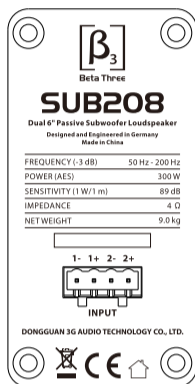
Application:

- Meeting Room
- Small Auditorium
- Multi-functional Room
- Churches
- Small Size Performance

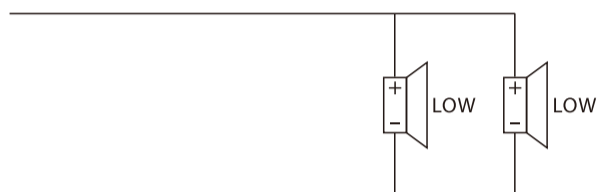
| | | | | |
|---------------|-------|-------|--------|-----|
| 东莞市三基音响科技有限公司 | | | 文件(图)号 | |
| 物品名称 (图名) | 英文说明书 | 物品规格 | | |
| | | 商品劳务号 | | |
| 物品类别 | 专业音箱 | 版本 | 第4页 | 共9页 |

SUB208 is connected by wiring terminals and power amplifiers

Terminal board:

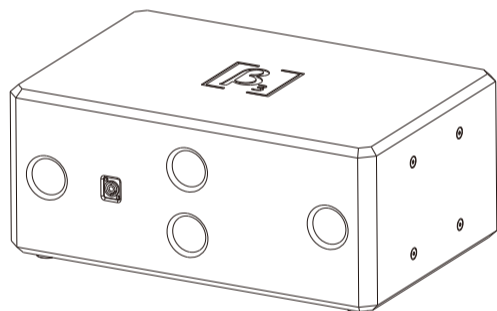


1+ 1- INPUT

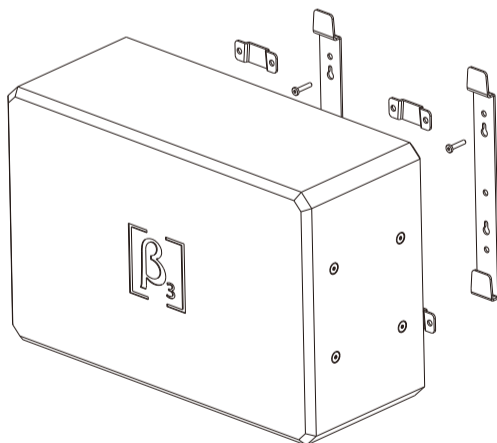


Installation:

1. Horizontal placement



2. Hanging



- ⚠ Attention:** When connecting the system, pay attention to matching the output impedance of the speaker and amplifier.
- ⚠ Attention:** Keep the polarity of the speakers and amplifiers correctly connected throughout the entire system.

| | | | |
|---------------|-------|--------|---------|
| 东莞市三基音响科技有限公司 | | 文件(图)号 | |
| 物品名称 (图名) | 英文说明书 | 物品规格 | |
| | | 商品劳务号 | |
| 物品类别 | 专业音箱 | 版本 | 第5页 共9页 |

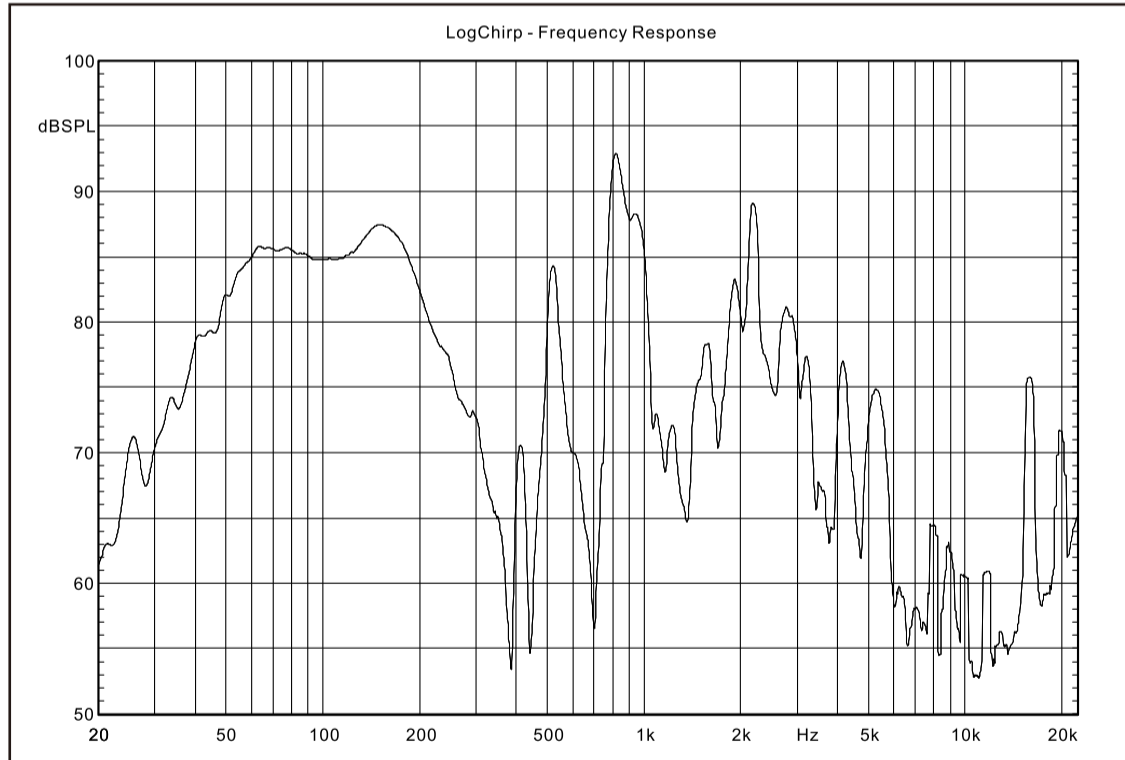
TECHNICAL SPECIFICATION

SUB208 
Dual 8" Passive Bandpass LF Speaker **Beta Three**

Specification:

| | |
|---------------------------------|--|
| Transducers: | 2 x 8" woofer |
| Speaker Type: | Six orders Bandpass LF Speaker |
| Connection: | Phoenix + NL4 |
| Frequency Response: | 45Hz-200Hz |
| Sensitivity (1W @ 1m): | 89dB |
| Rated Power: | 200W |
| Nominal Impedance (Ohm): | 4Ω |
| Dimension (W x D x H): | 600 × 400 × 250mm (23.6 × 15.7 × 9.8in) |
| Package Dimensions (W x D x H): | 505 × 355 × 725mm (19.9 × 14.0 × 28.5in) |
| Net Weight: | 17.9kg (39.5 lbs) |
| Gross Weight: | 21.5kg (47.4 lbs) |

Frequency Response:



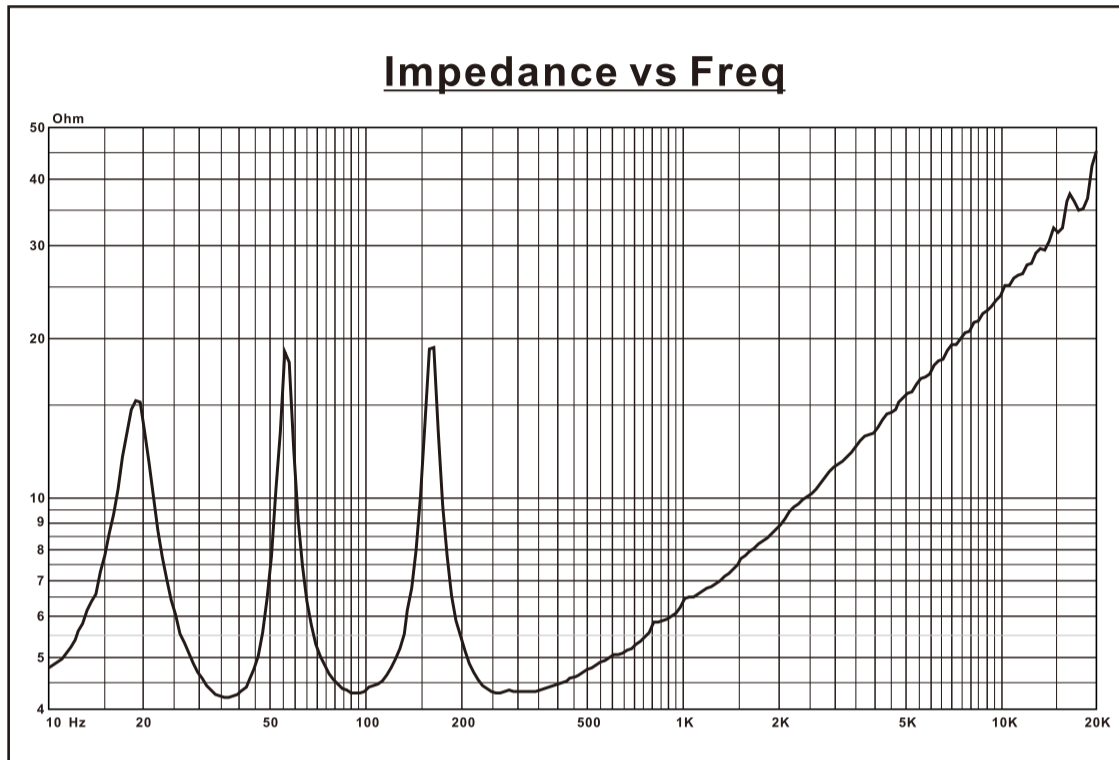
| | | | |
|---------------|-------|---------------|---------|
| 东莞市三基音响科技有限公司 | | | 文件(图)号 |
| 物品名称 (图名) | 英文说明书 | 物品规格 商品劳务号 | |
| 物品类别 | 专业音箱 | 版本 | 第6页 共9页 |



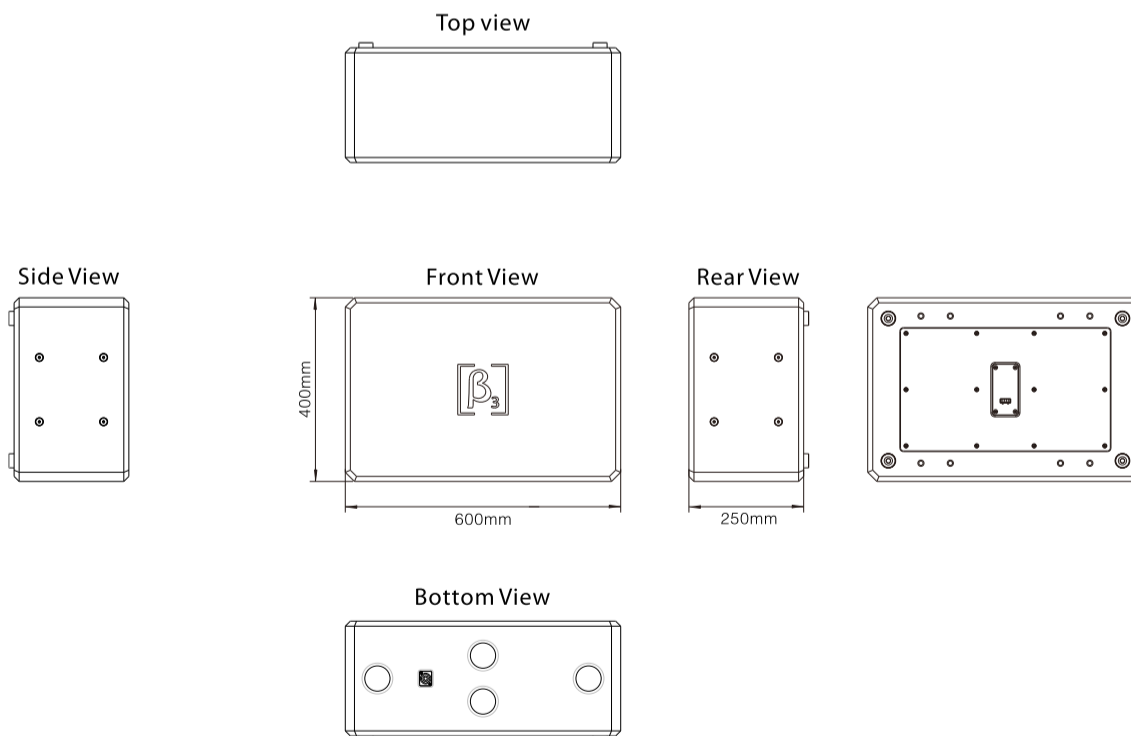
SUB208
Dual 8" Passive Bandpass LF Speaker

TECHNICAL SPECIFICATION

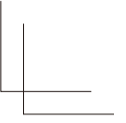
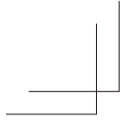
Impedance Curve:



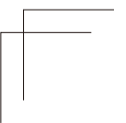
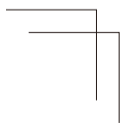
2D View:



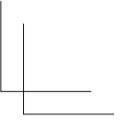
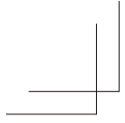
| | | | |
|---------------|-------|-------|---------|
| 东莞市三基音响科技有限公司 | | | 文件(图)号 |
| 物品名称 (图名) | 英文说明书 | 物品规格 | |
| | | 商品劳务号 | |
| 物品类别 | 专业音箱 | 版本 | 第7页 共9页 |



Notes:

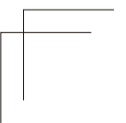
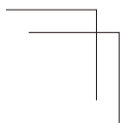


| | | | |
|---------------|-------|-------|---------|
| 东莞市三基音响科技有限公司 | | | 文件(图)号 |
| 物品名称 (图名) | 英文说明书 | 物品规格 | |
| | | 商品劳务号 | |
| 物品类别 | 专业音箱 | 版本 | 第8页 共9页 |



Beta Three

www.beta3pro.com



| | | | | |
|---------------|-------|-------|--------|-----|
| 东莞市三基音响科技有限公司 | | | 文件(图)号 | |
| 物品名称 (图名) | 英文说明书 | 物品规格 | | |
| | | 商品劳务号 | | |
| 物品类别 | 专业音箱 | 版本 | 第9页 | 共9页 |